

RØDE[®]

MICROPHONES



PSA1 Instruction Manual



Designed in Australia
Made in China

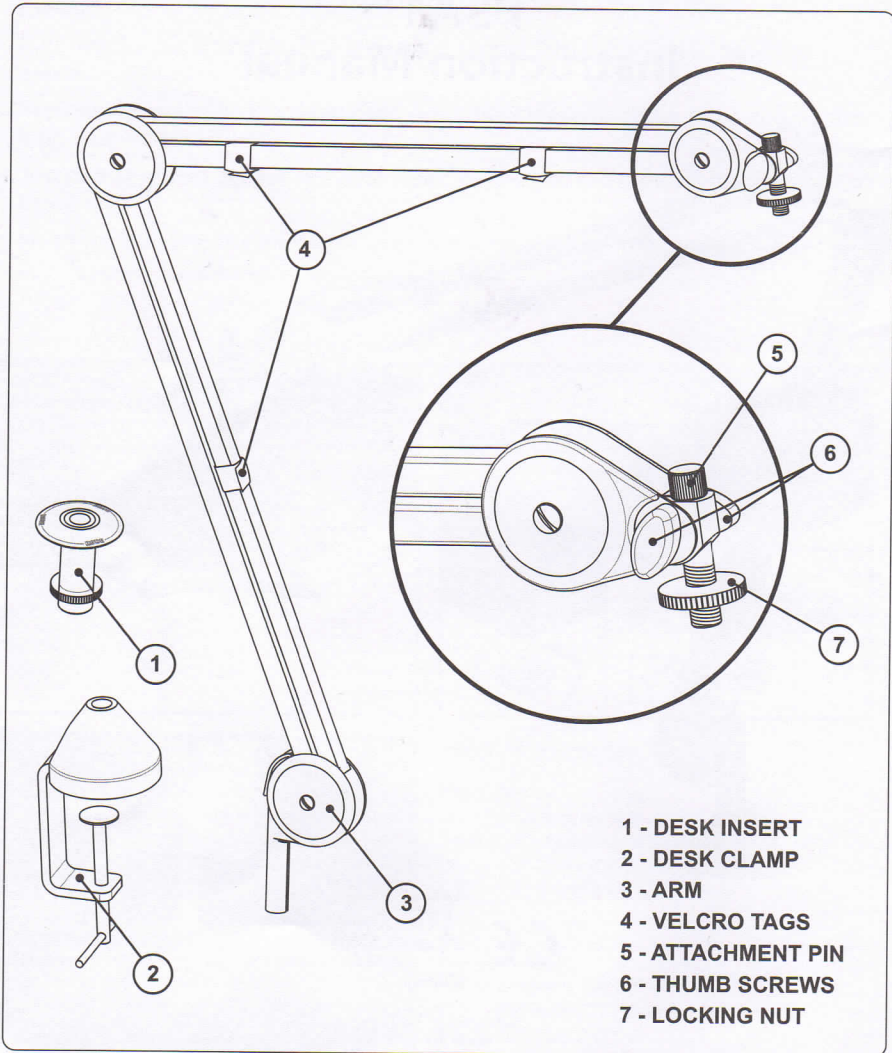
www.rodemic.com

Product Specifications

Approximate reach: Horizontal- 820mm (32.5").
Vertical- 840mm (33").

Adapter: 3/8" thread adaptor. (3/8" to 5/8" adaptor included)

Weight: 1.74kg (3.84lbs) - 2.15kg (4.73lbs) boxed



Setting up the PSA1 studio arm

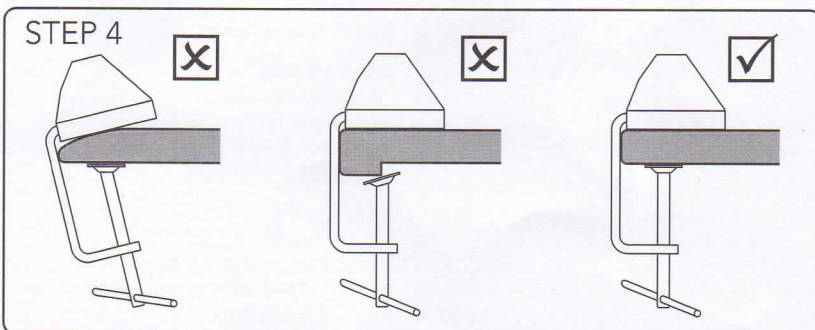
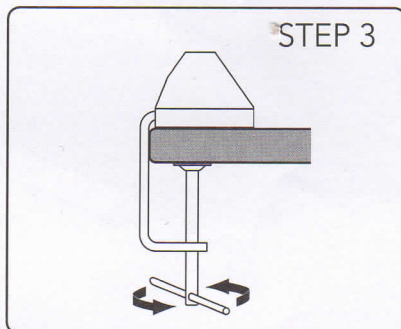
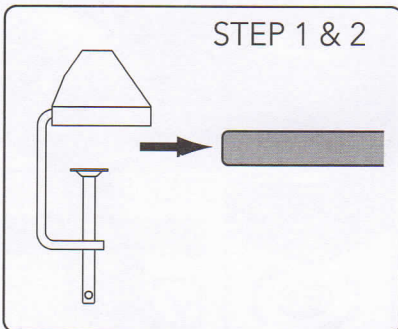
The **RØDE**® PSA1 offers a choice of two desk mounting options, using either the desk clamp or desk insert.

Mounting via the Desk Clamp

- 1- Unscrew the clamp so that the opening is large enough to fit over the edge of your table.
- 2- Push the clamp all the way onto the table edge for maximum security.
- 3- Fasten the clamp to the desk by turning the handle so that it is tight against the underside of the table.

Note: Make sure that the clamp sits flush on both the top and bottom surfaces of the table. If this can not be achieved, we recommend you mount the studio arm via the desk insert (refer to 'Mounting via desk insert').

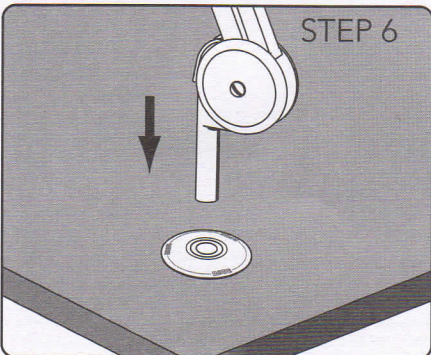
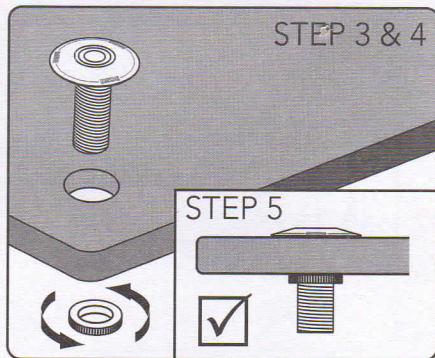
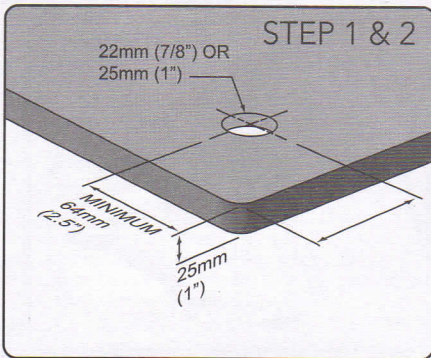
- 4- Test that you have mounted the clamp securely by seeing if you can pull it off the edge of the table. Tables with round edges provide less security than those with square edges. If the clamp comes off easily, try reattaching it tighter and repeat the test. If it still removes easily, we recommend that you mount the studio arm via the desk insert (refer to 'Mounting via desk insert').
- 5- Insert the arm into the hole at the top of the clamp. You are now ready to attach your microphone.



Mounting via the Desk Insert

You will need to drill a hole into your work desk for this mounting options and therefore will require the tools to do so.

- 1- Take the time to choose the best location for your new studio arm. Try different positions using the desk clamp first so you are comfortable with the location you have chosen. You should also refer to your microphones user manual for details on the correct relationship between microphone and user.
- 2- Mark the location you wish to position the desk insert and check that it meets the minimum and maximum recommended distances (refer to illustration)
- 3- Use either a 7/8" or 1" hole cutter and drill out a hole in the location you have marked.
- 4- Remove the nut from the desk insert and drop it into the hole you have just made.
- 5- Replace the nut onto the desk insert from the underside of the table and tighten it up against the table.
- 6- Test that you have tighten the desk insert securely to the table so that it does not move.
- 7- Insert the arm into the hole in the top of the desk insert. You are now ready to attach your microphone.



RØDE Microphones

International:

107 Carnarvon Street
Silverwater NSW 2128 Australia
Ph: +61 2 9648 5855
Fax: +61 2 9648 2455

USA:

P.O. Box 4189
Santa Barbara, CA 93140-4189
Ph: 805-566-7777 (toll free in the US)
Fax: 805-566-0071

www.rodemic.com